

4

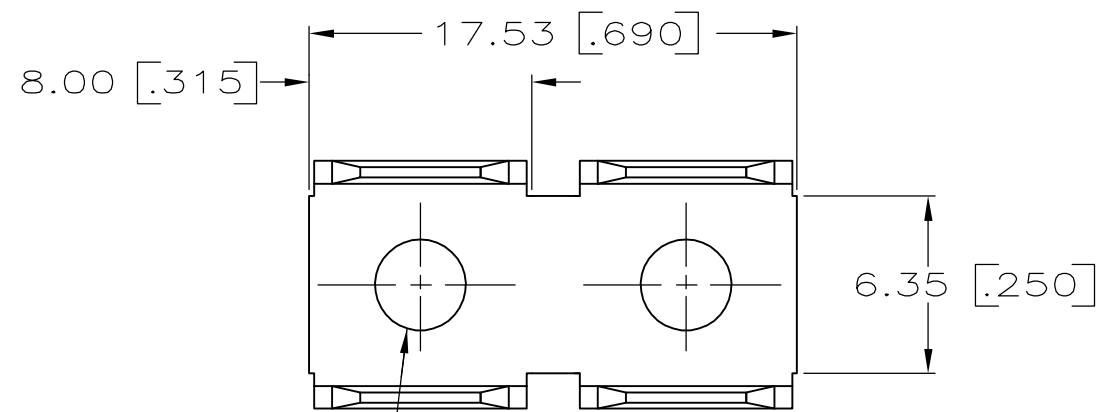
3

2

1

THIS DRAWING IS UNPUBLISHED. RELEASED FOR PUBLICATION
 © COPYRIGHT BY TYCO ELECTRONICS CORPORATION. ALL RIGHTS RESERVED.

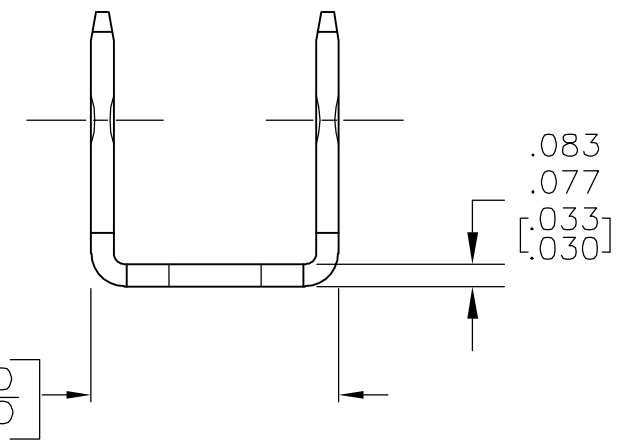
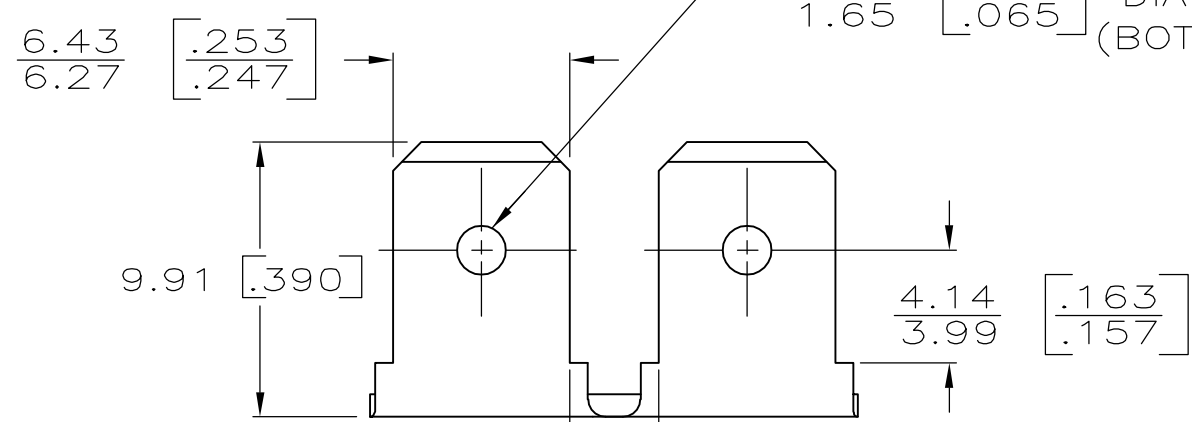
LOC	DIST	REVISIONS					
AF	50	P	LTR	DESCRIPTION	DATE	DWN	APVD
			AH	REV PER ECR-05-017287	27MAR06	HMR	JR



1- DIMENSIONS IN BRACKETS ARE IN INCHES.
 2- SUPPLIED IN LOOSE PIECE

$\frac{3.43}{3.18}$ $\left[\frac{.135}{.125} \right]$ DIA HOLE

$\frac{2.03}{1.65}$ $\left[\frac{.080}{.065} \right]$ DIA DIMPLE (BOTH SIDES)



41291
PART NO

THIS DRAWING IS A CONTROLLED DOCUMENT.		DWN	JR RUTH	8/13/86		Tyco Electronics Corporation				
DIMENSIONS: MM [INCHES]		CHK	G YETTER	8/13/86		Harrisburg, PA 17105-3608				
		APVD	C MEYERS	8/14/86		NAME				
TOLERANCES UNLESS OTHERWISE SPECIFIED:		PRODUCT SPEC		.250 SERIES FASTON TAB						
0 PLC ± - 1 PLC ± - 2 PLC ± - 3 PLC ± 0.25 [.010] 4 PLC ± - ANGLES ± -		APPLICATION SPEC		SIZE		CAGE CODE	DRAWING NO	RESTRICTED TO		
MATERIAL #2H BRASS		WEIGHT -		A3		00779	C=41291	-		
FINISH -		CUSTOMER DRAWING		SCALE		4:1	SHEET	1 OF 1	REV	AH

METRIC